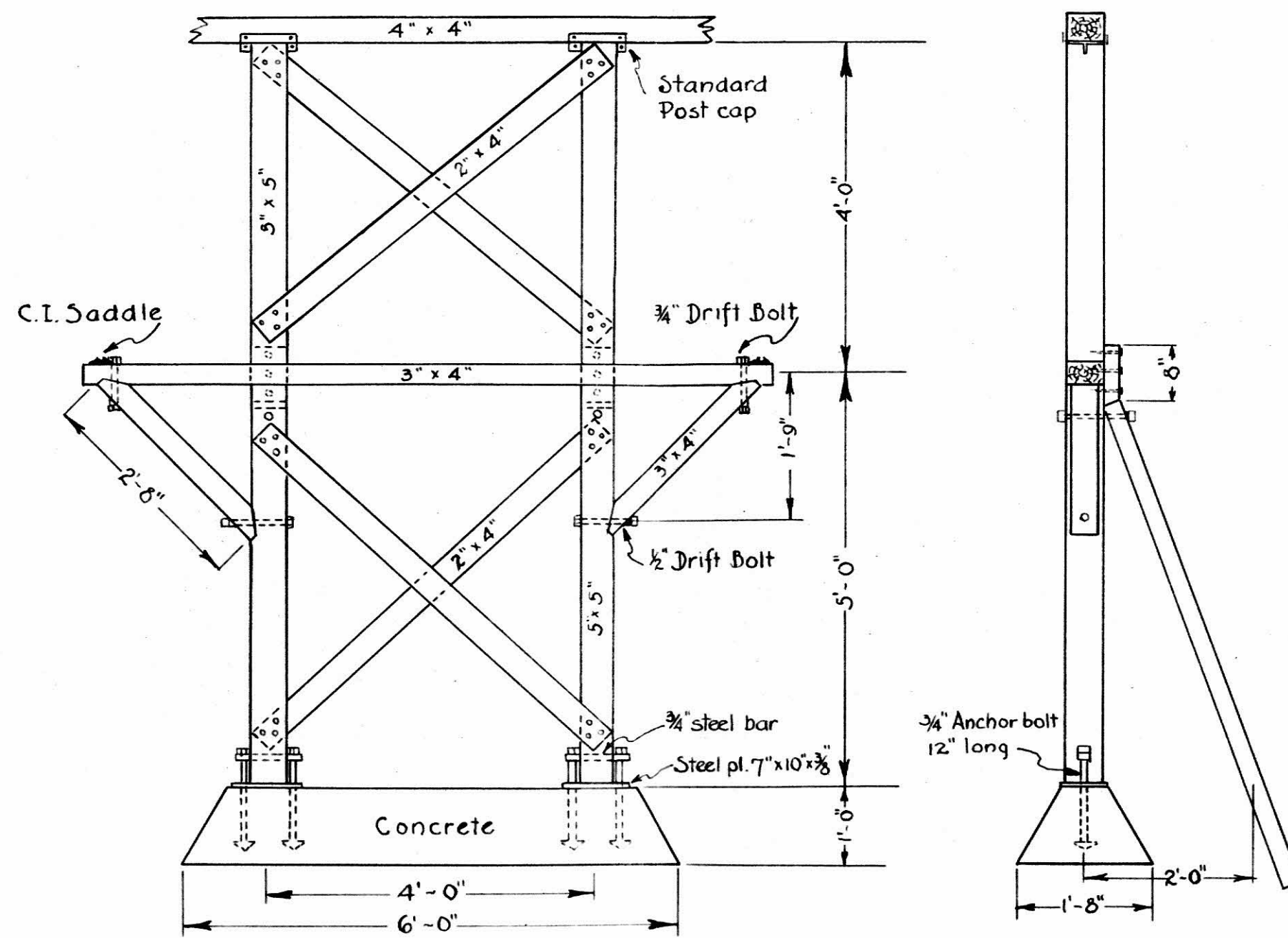
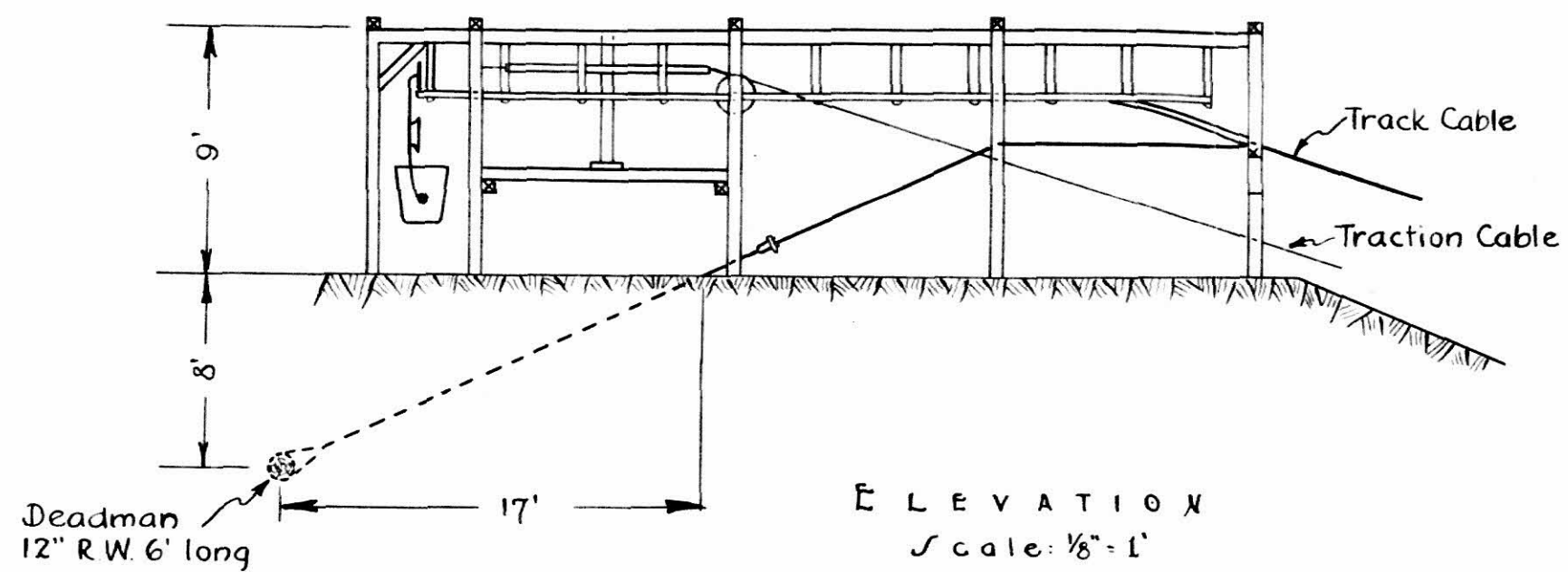


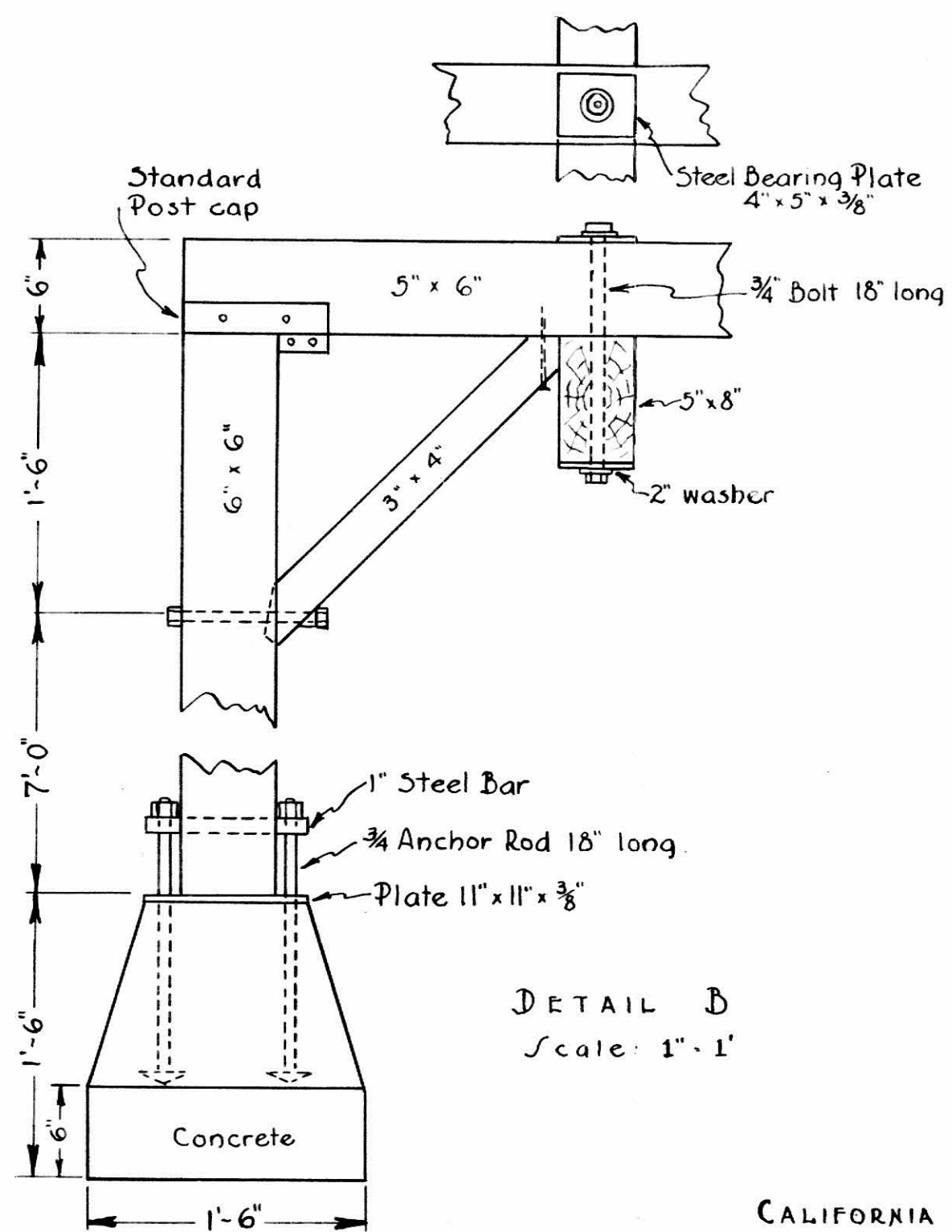
PLAN
Scale: $\frac{1}{8}'' = 1'$



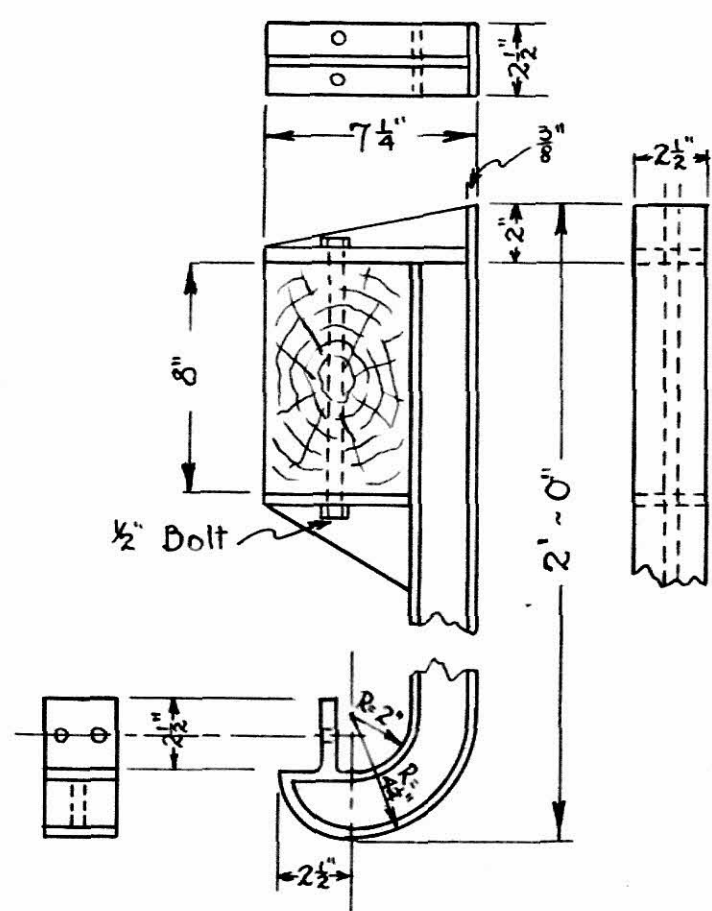
DETAIL A
Scale: $\frac{1}{2}'' = 1'$



ELEVATION
Scale: $\frac{1}{8}'' = 1'$



DETAIL B
Scale: $1'' = 1'$



RAIL HANGER
Scale: $1\frac{1}{2}'' = 1'$

CALIFORNIA INSTITUTE OF TECHNOLOGY.
CABLEWAY LOADING TERMINAL.
Scale: as shown.
June 1, 1924.
J. W. Piper