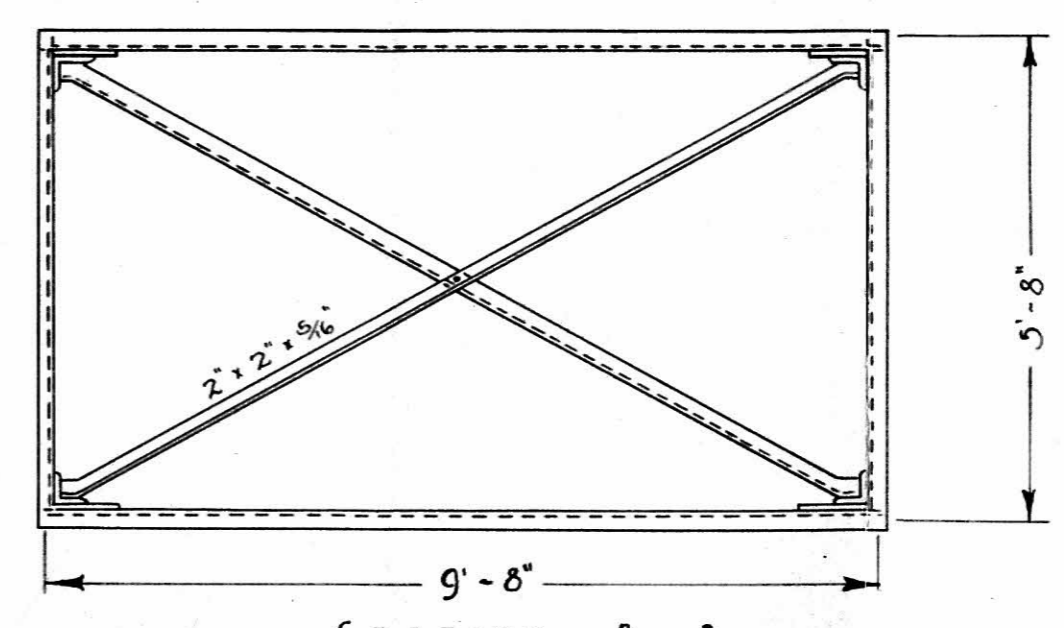
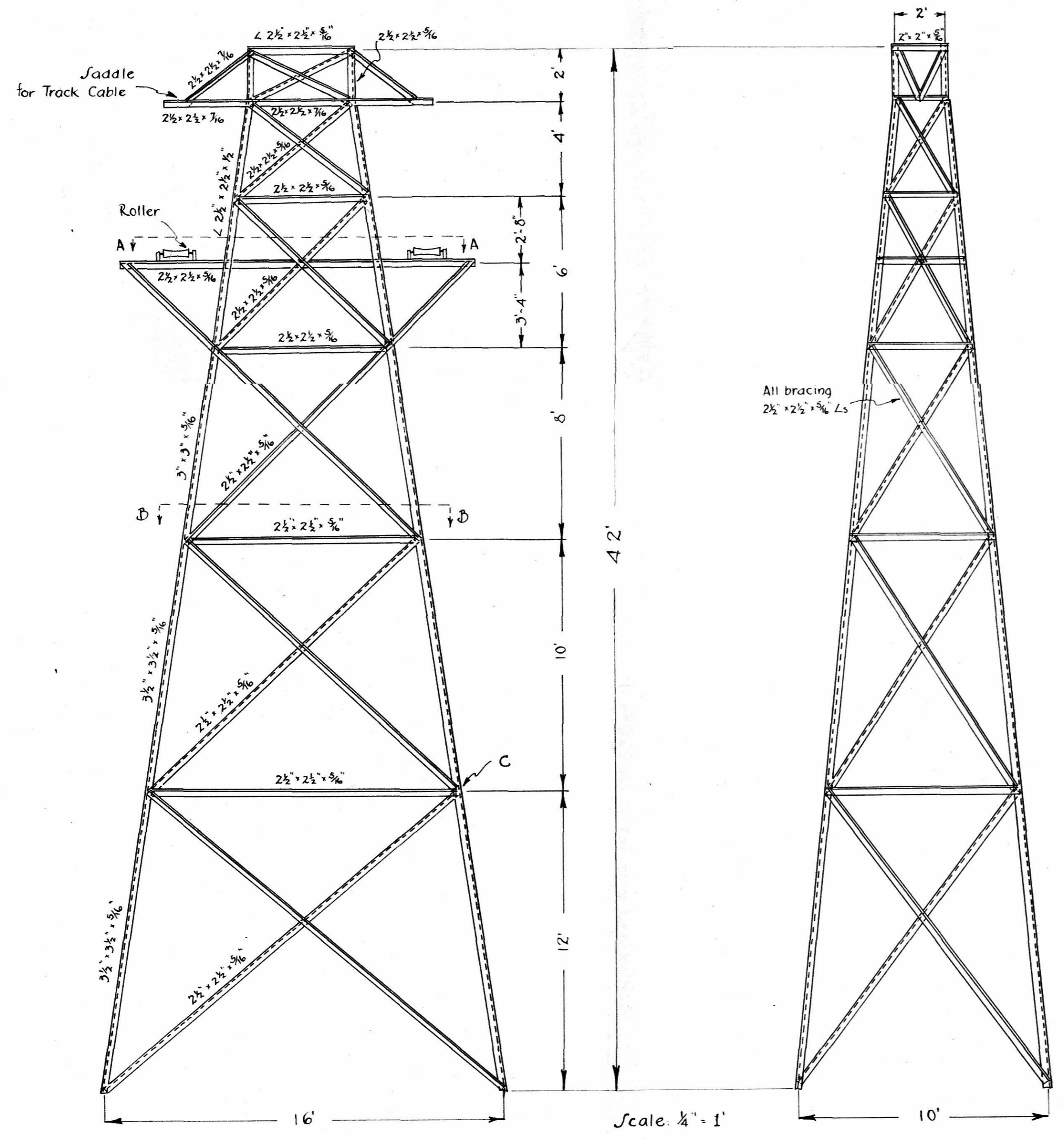


SECTION A-A
Scale: $\frac{3}{8}$ " = 1'

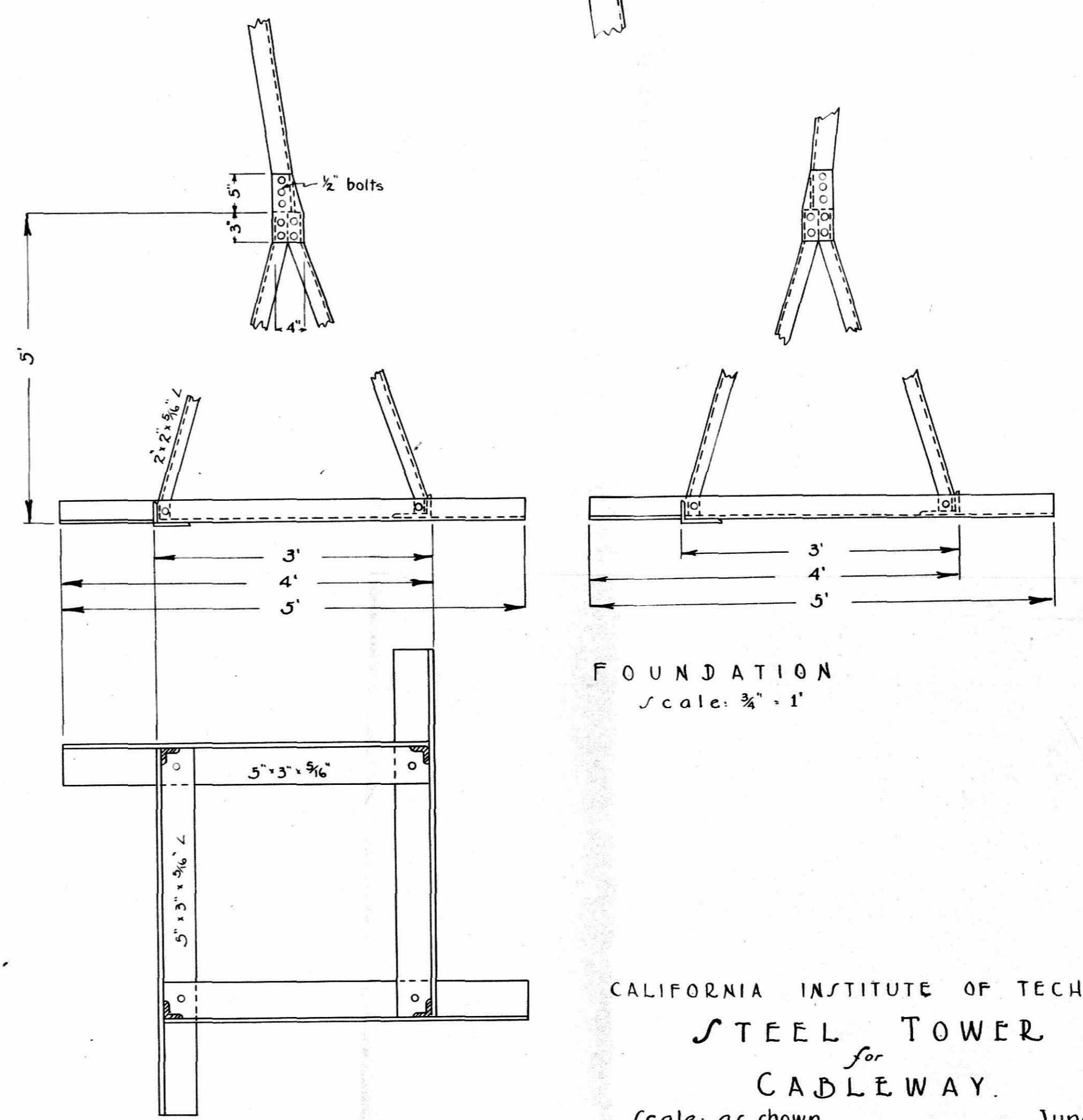
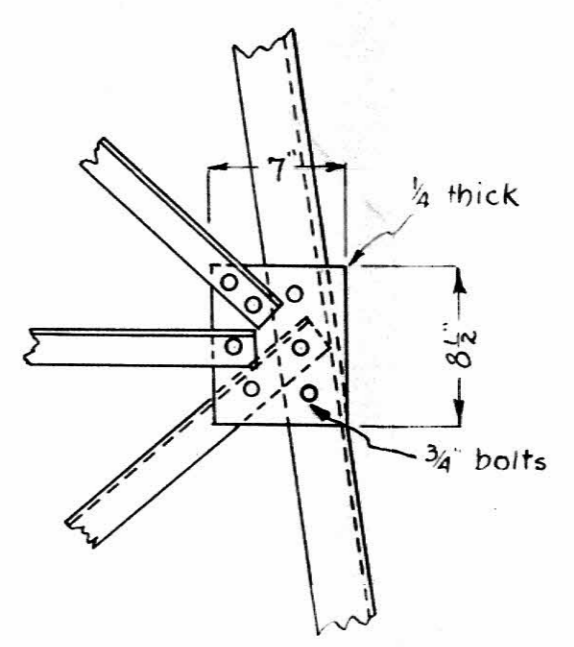


SECTION B-B
Scale: $\frac{3}{8}$ " = 1'



Scale: $\frac{1}{4}$ " = 1'

DETAIL C
Scale: 1" = 1'



FOUNDATION
Scale: $\frac{3}{4}$ " = 1'

CALIFORNIA INSTITUTE OF TECHNOLOGY
STEEL TOWER
for
CABLEWAY.
Scale: as shown.
Course: Th. 100
June 1, 1924
J. W. Piper