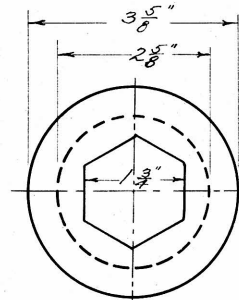
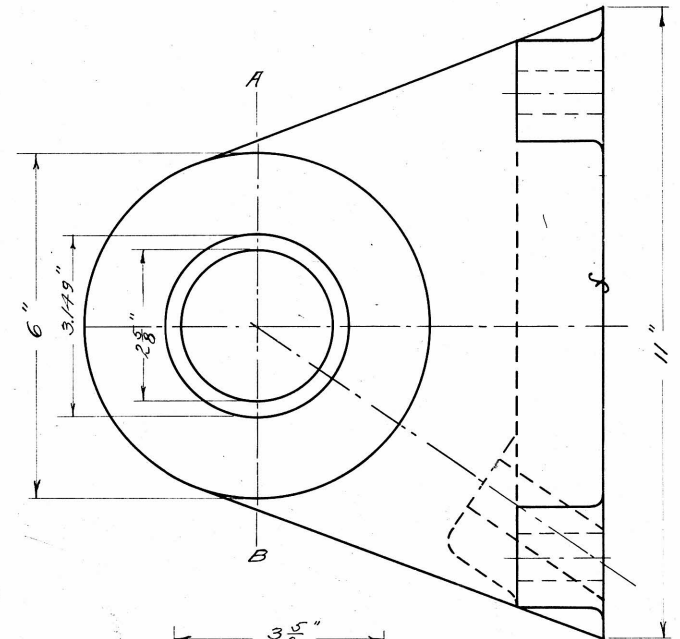


SECTION THRU A-B.

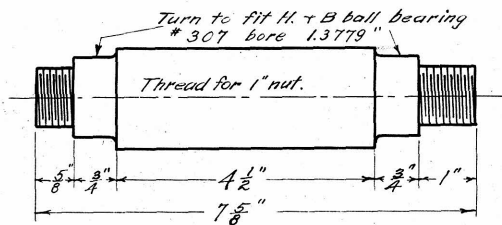
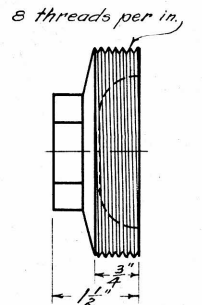
BEARING

1-Required material C.I.



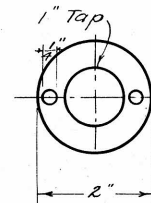
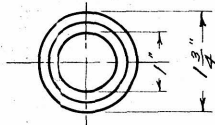
PLUG NUT

1-Required C.I.



BEARING PIN

1-Required material steel.



NUT

2-Required material steel.

DRAWING N° 10

DETAILS
AUTO TESTING PLANT
THROOP COLLEGE OF TECHNOLOGY

Pasadena California

Scale $\frac{1}{2}'' = 1''$ April. 8, 14.

Drawn and traced by H.B. Gerckens.