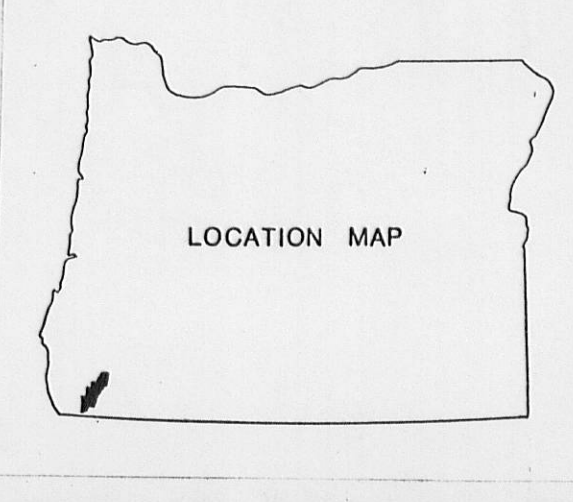
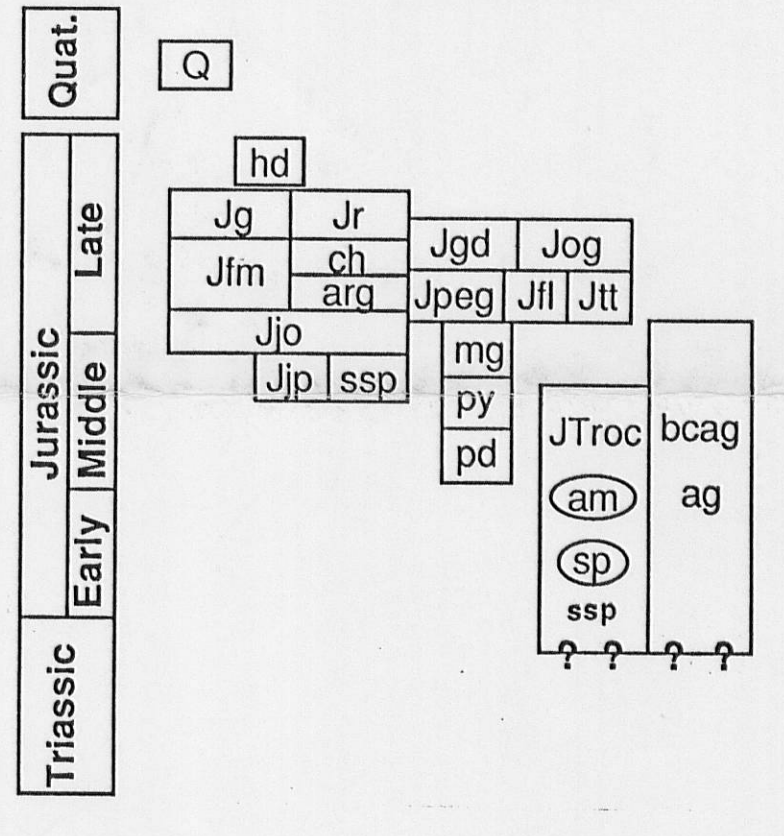


Yule-50-1996

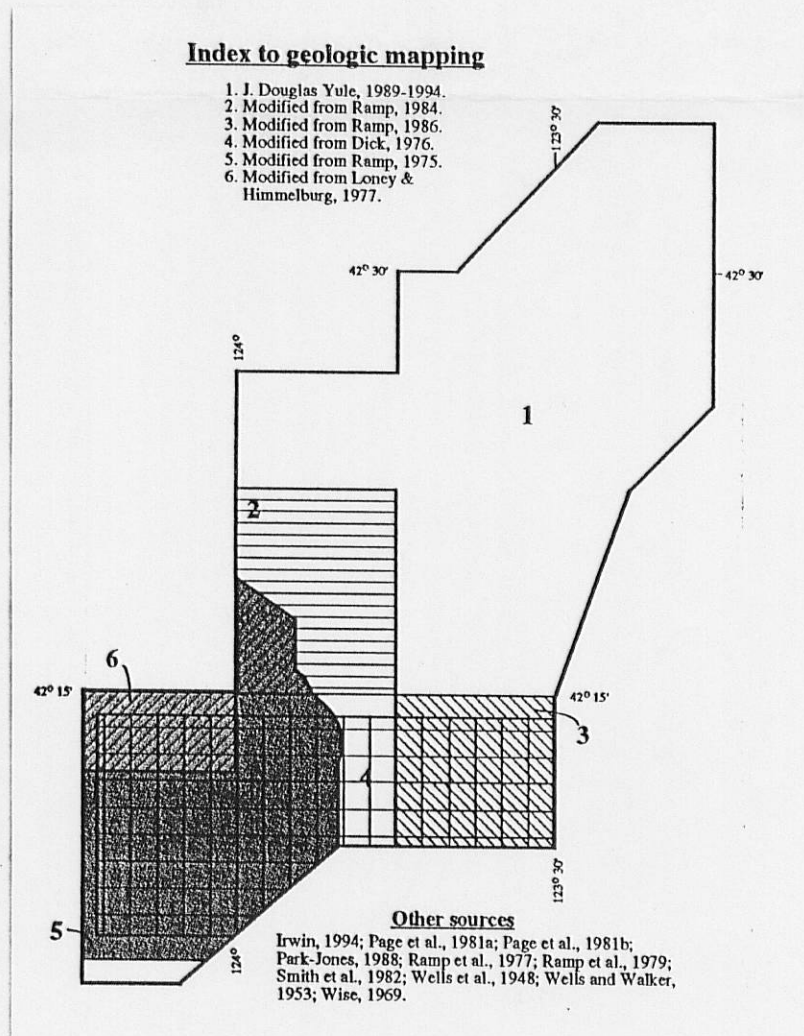
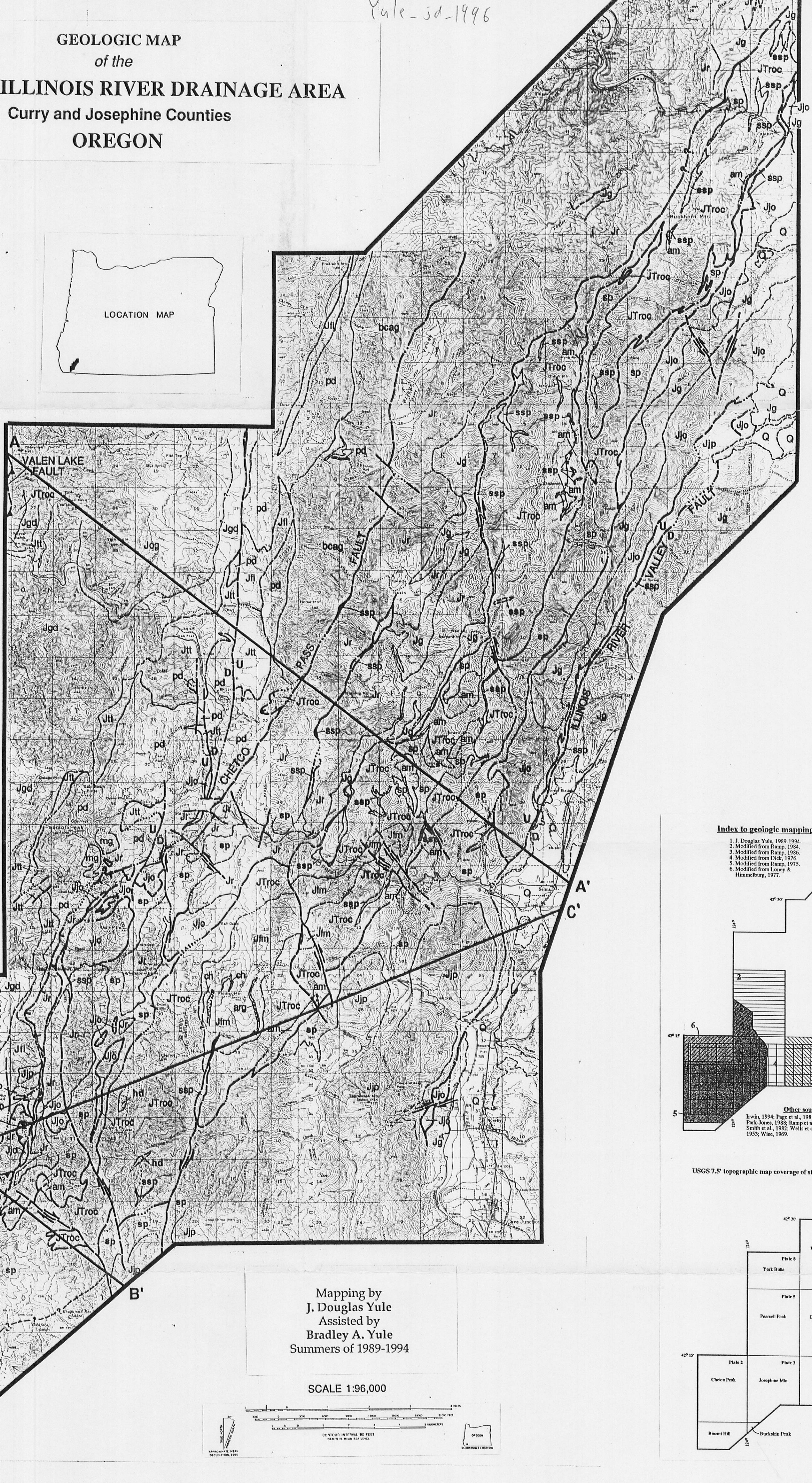
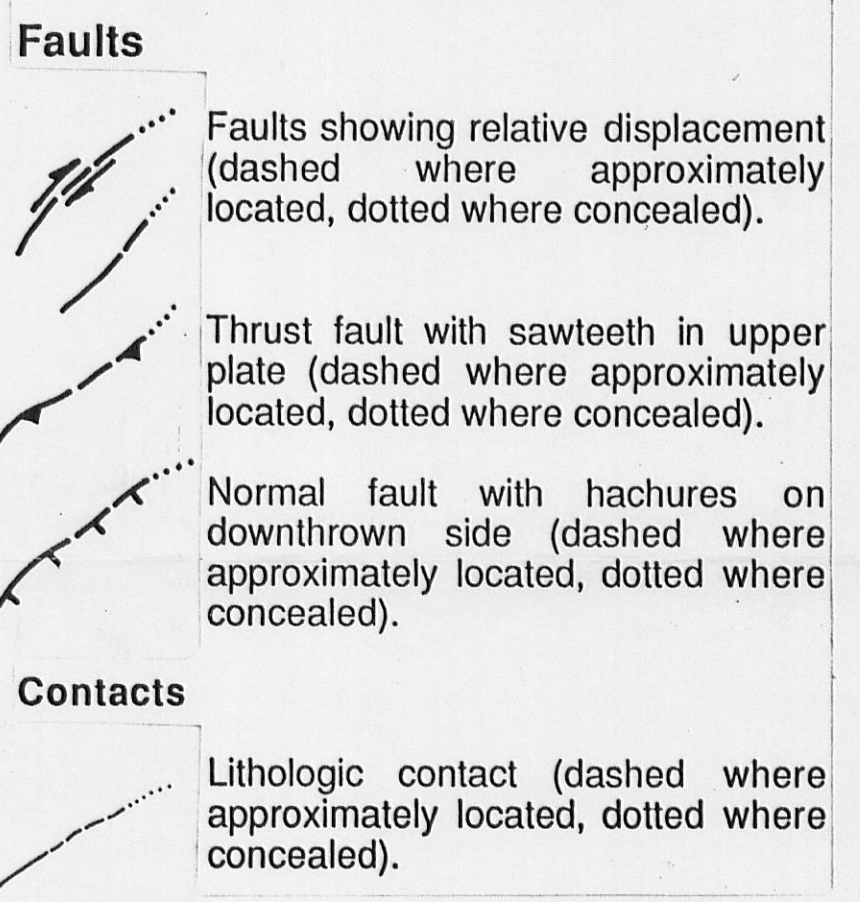
# GEOLOGIC MAP of the CENTRAL ILLINOIS RIVER DRAINAGE AREA Curry and Josephine Counties OREGON



### Correlation of Map Units

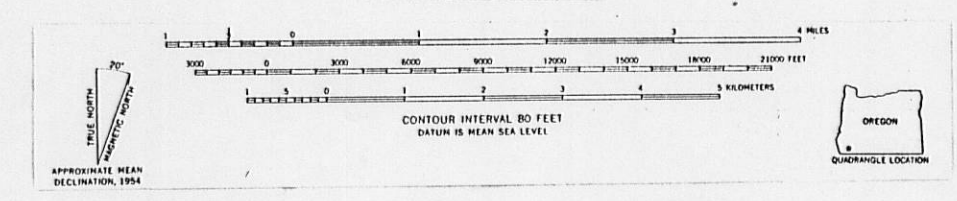


### GEOLOGIC SYMBOLS



Mapping by  
J. Douglas Yule  
Assisted by  
Bradley A. Yule  
Summers of 1989-1994

SCALE 1:96,000



### Geologic Cross Sections

